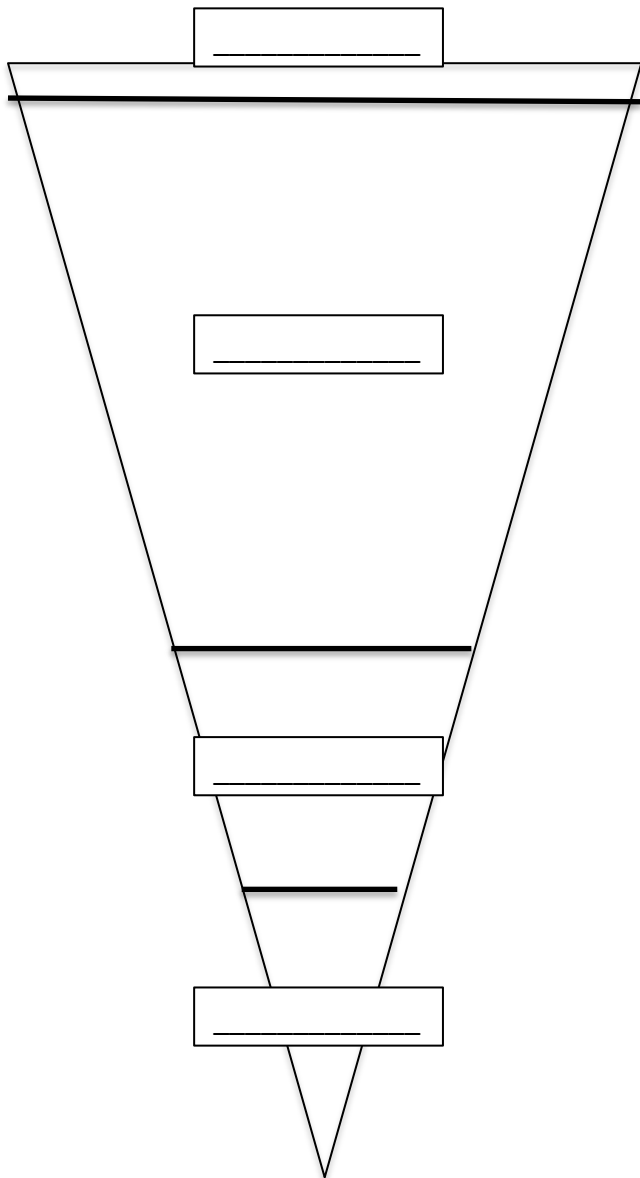


# Layers of the Earth

The Earth has \_\_\_\_ layers.

Label the layers of the Earth in the cross-section below. Then, fill in the information about each layer.



Name:  
Thickness:  
Composition:  
Other Notes:

Name:  
Thickness:  
Composition:  
Other Notes:

Name:  
Thickness:  
Composition:  
Other Notes:

Name:  
Thickness:  
Composition:  
Other Notes:

Which layer of the Earth has convection currents?

Which layer of the Earth is made up of solid rock?

Which layer of the Earth has plasticity?

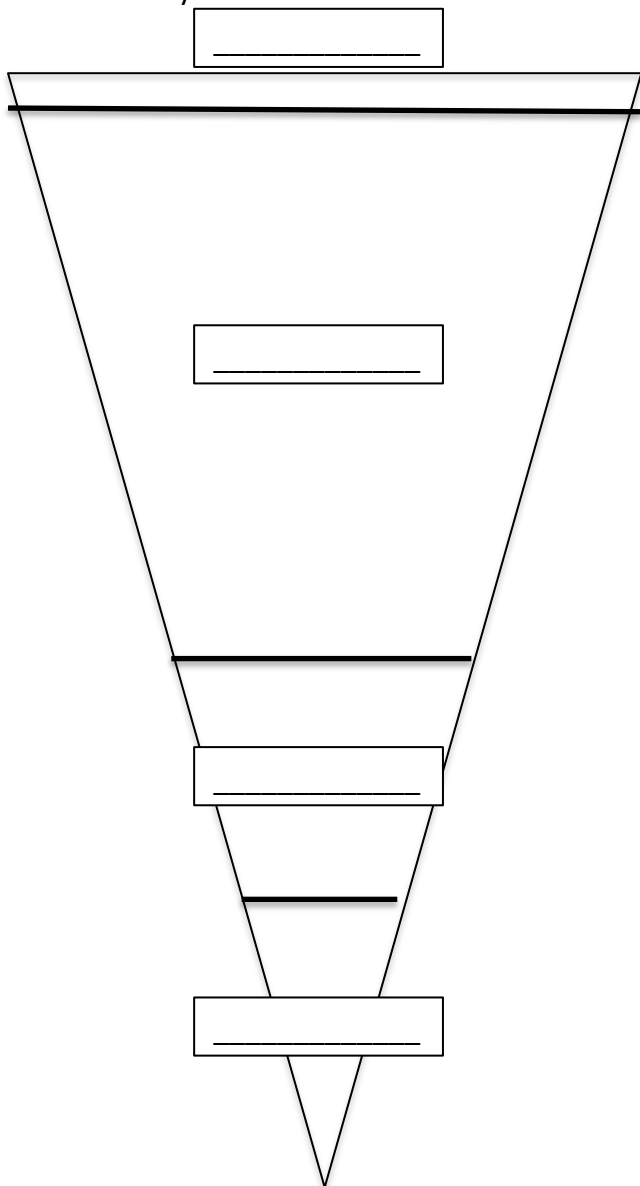
Which layer of the Earth is liquid?

Which layer of the Earth is solid metal?

# Layers of the Earth

The Earth has **4** layers.

Label the layers of the Earth in the cross-section below. Then, fill in the information about each layer.



Name:  
Thickness:  
What it's made of:

Name:  
Thickness:  
What it's made of:

Name:  
Thickness:  
What it's made of:

Name:  
Thickness:  
What it's made of:

Which layer of the Earth has convection currents?

Which layer of the Earth is made up of solid, cool rock?

Which layer of the Earth has plasticity (acts like a solid and liquid)?

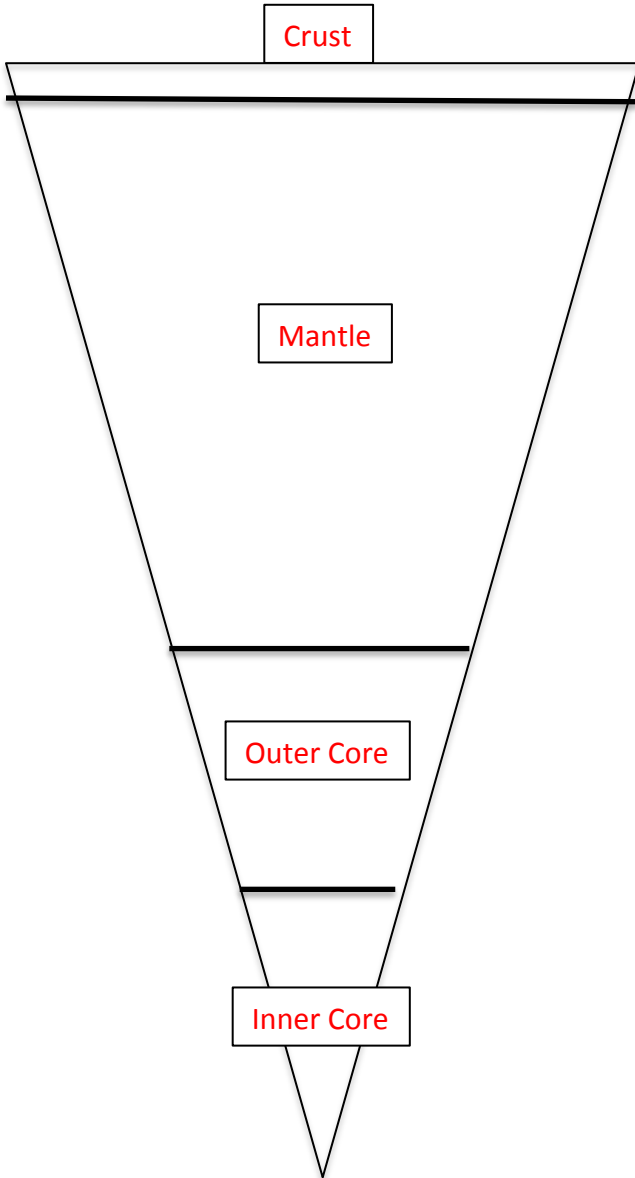
Which layer of the Earth is liquid?

Which layer of the Earth is solid metal?

# Layers of the Earth-answer key

The Earth has 4 layers.

Label the layers of the Earth in the cross-section below. Then, fill in the information about each layer.



Name: **Crust**

Thickness: **0-120 km (thinnest layer)**

Composition: **solid, cool rocks (mostly silicates)**

Other Notes: **Home to all life on Earth; two types (continental and oceanic)**

Name: **Mantle**

Thickness: **2900 km**

Composition: **molten rock**

Other Notes: **has plasticity (acts more like a solid toward the crust and more like a liquid toward the cores); convection currents occur here**

Name: **Outer Core**

Thickness: **2200 km**

Composition: **liquid metal**

Other Notes: **under extreme pressure**

Name: **Inner Core**

Thickness: **1250 km**

Composition: **solid metal**

Other Notes: **layer with the greatest amount of pressure and density**

Which layer of the Earth has convection currents? **Mantle**

Which layer of the Earth is made up of solid rock? **Crust**

Which layer of the Earth has plasticity? **Mantle**

Which layer of the Earth is liquid? **Outer core**

Which layer of the Earth is solid metal? **Inner core**